



22000 Industrial Blvd, Rogers, MN 55374

866-527-7637

[www.motoalliance.com](http://www.motoalliance.com)

Thank you for purchasing MotoAlliance's DENALI UTV Pushtube System! We've paid attention to all the fine details and believe you now have a plow that will last for years to come. Please feel free to contact us with any questions.

### **Warning And User Caution**

- Never allow passengers to ride on the blade while plowing
- Stay clear of bystanders while plowing
- Do not exceed 10 MPH with blade installed
- Always wear safety gear (helmet, glasses, etc.) when plowing
- Always put your vehicle in Park before changing the angle of the plow blade
- Use extreme caution when plowing and riding on sloped surfaces
- Avoid all fixed objects and always wear a seatbelt
- Be cautious of the blade when lowering it from an upright position
- Always store your blade resting on the ground



**motoalliance**

22000 Industrial Blvd

Rogers, MN 55374

866.527.7637

**DENALI UTV Pushtube System  
PTUT**

**Kit Content:**

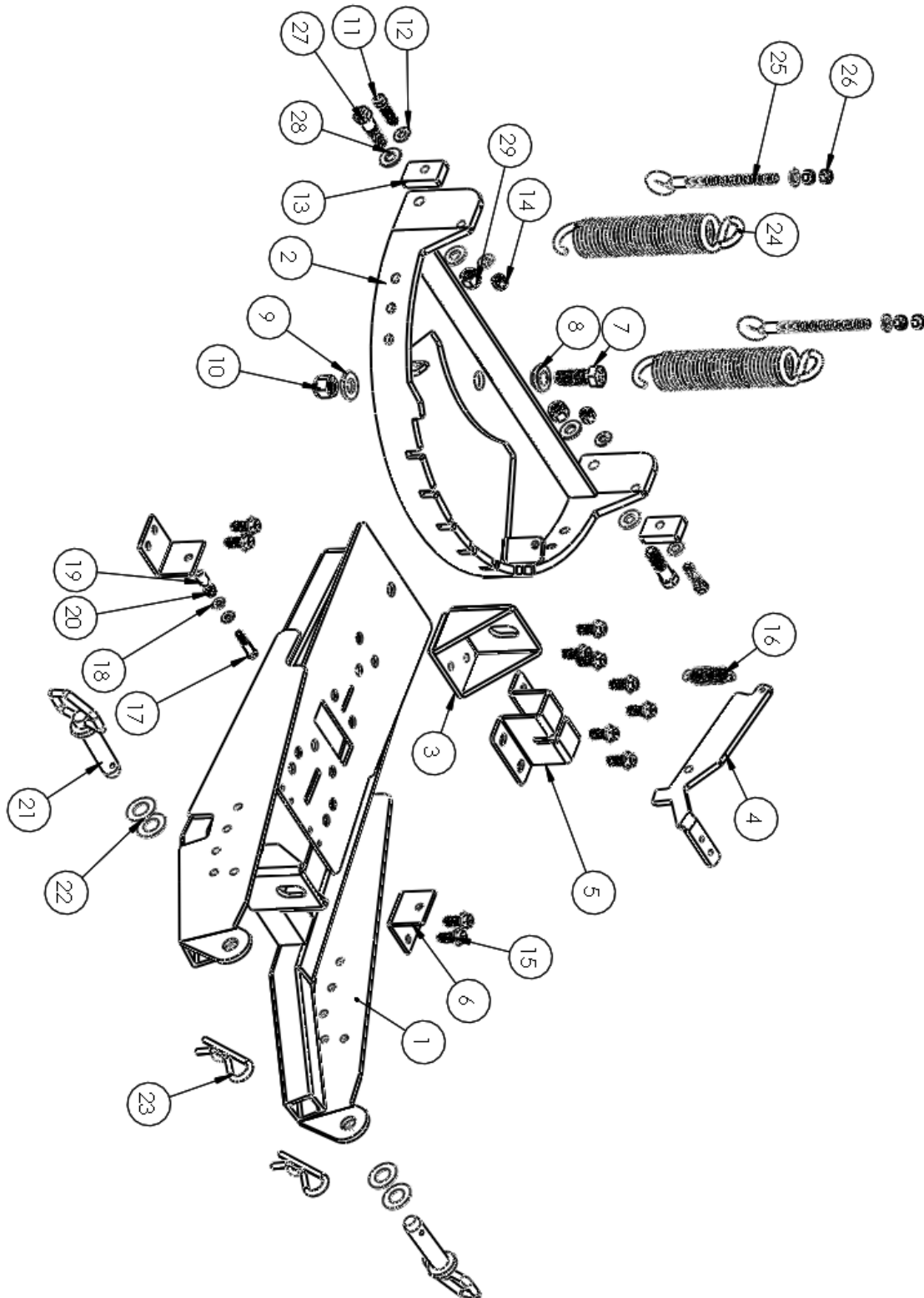
PART #	Part Description	Quantity
1	Lift Arm Weldment	1
2	Swivel Plate Weldment	1
3	Winch Attachment Bracket	1
4	Pivot Lock Lever	1
5	Pivot Lever Support Bracket	1
6	Pivot Lever Riser	2
7	5/8''-11 x 2'' G8 Hex Bolt	1
8	Pivot Ring	1
9	5/8'' Flat Washer	1
10	5/8''-11 G8 Nylock Nut	1
11	3/8''-16 x 1.5'' G5 Hex Bolt	2
12	3/8'' Flat Washer	6
13	Stop Block	2
14	3/8''-16 G5 Nylock Nut	1
15	3/8''-16 x 1'' G5 Serrated Flange Bolt	11
16	Lock Lever Spring	1
17	1/4''-20 x 1.5'' G5 Hex Head Bolt	1
18	1/4'' Flat Washer	2
19	Aluminum Spacer	1
20	1/4''-20 Nylock Nut	1
21	Quick Release Pin	2
22	Quick Release Pin Washer	2
23	Quick Release Pin Cotter Pin	2
24	Blade Return Spring 10'' x 1 1/2''	2
25	3/8'' Eye Bolt	2
26	3/8''-16 G5 Hex Nut	4
27	1/2''-13 x 2'' G8 Hex Bolt	2
28	1/2'' Flat Washer	4
29	1/2''-13 G8 Nylock Nut	2



**motoalliance**

22000 Industrial Blvd  
Rogers, MN 55374  
866.527.7637

**DENALI UTV Pushtube System  
PTUT**





**motoalliance**

22000 Industrial Blvd

Rogers, MN 55374

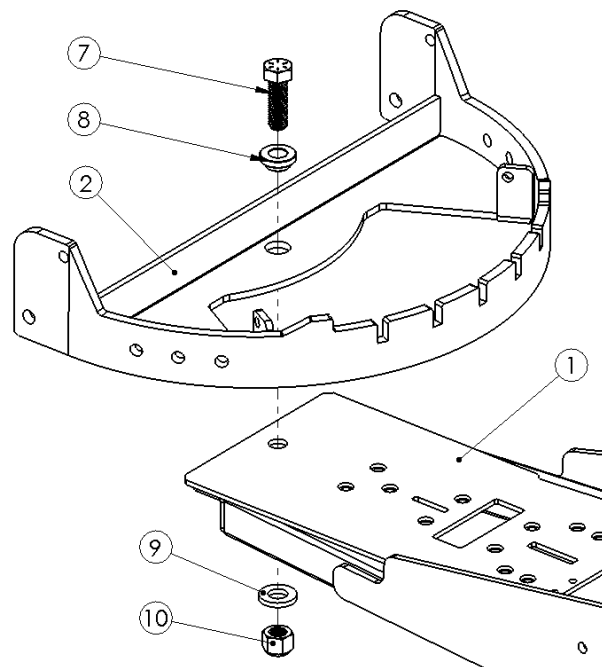
866.527.7637

**DENALI UTV Pushtube System**

**PTUT**

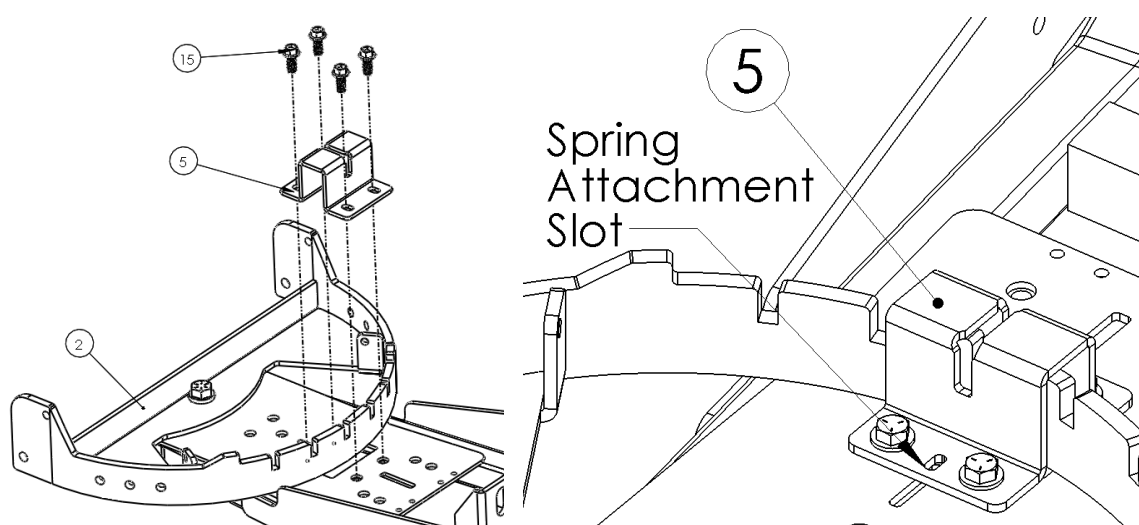
## Assembly Instructions

- 1) Attach the Swivel Plate to the Lift Arm using the 5/8" Hex Bolt, 5/8" Flat Washer, 5/8" Nylock Nut and Pivot Ring as shown **Figure 1**.



**Figure 1**

- 2) Attach the Pivot Lever Support Bracket to the Lift Arm using four 3/8" x 1.00" Flange Bolts as shown in **Figure 2**. Note the Spring Attachment Slot on the Pivot Lever Support Bracket should face forward.



**Figure 2**



**motoalliance**

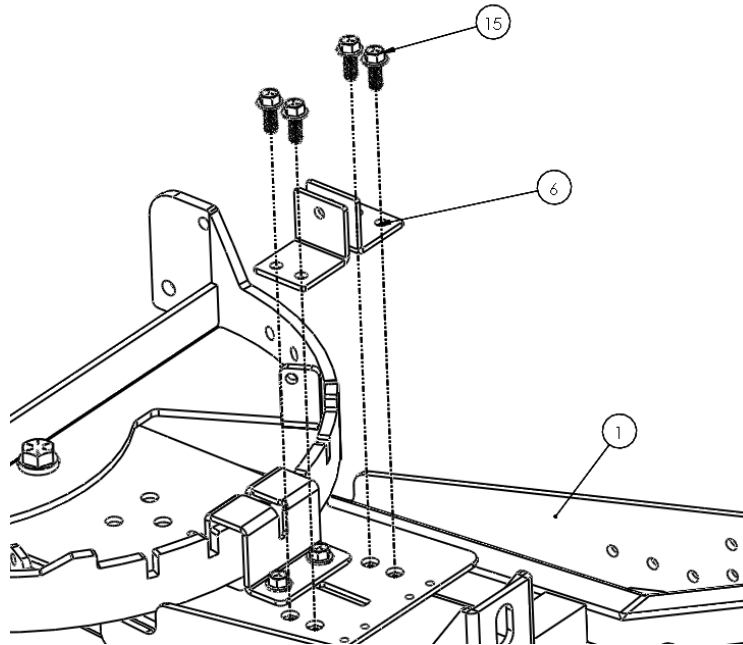
22000 Industrial Blvd

Rogers, MN 55374

866.527.7637

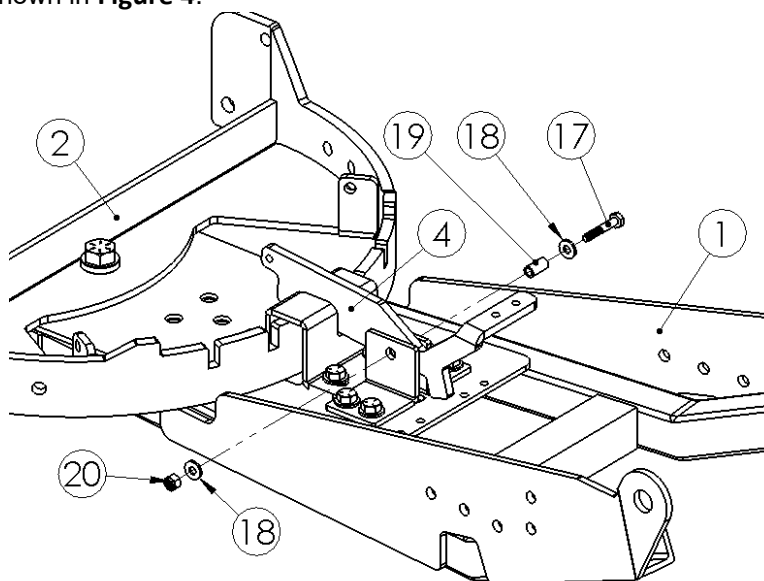
**DENALI UTV Pushtube System  
PTUT**

- 3) Attach the Pivot Lever Risers to the Lift Arm using four  $3/8"$  x  $1.00"$  Flange Bolts as shown in **Figure 3**.



**Figure 3**

- 4) Attach the Pivot Lock Lever to the Pivot Lever Risers using the  $1/4"$  x  $1.5"$  Hex bolt,  $1/4"$  Washers,  $1/4"$  Aluminum Spacer and  $1/4"$  Nylock Nut as shown in **Figure 4**.



**Figure 4**



**motoalliance**

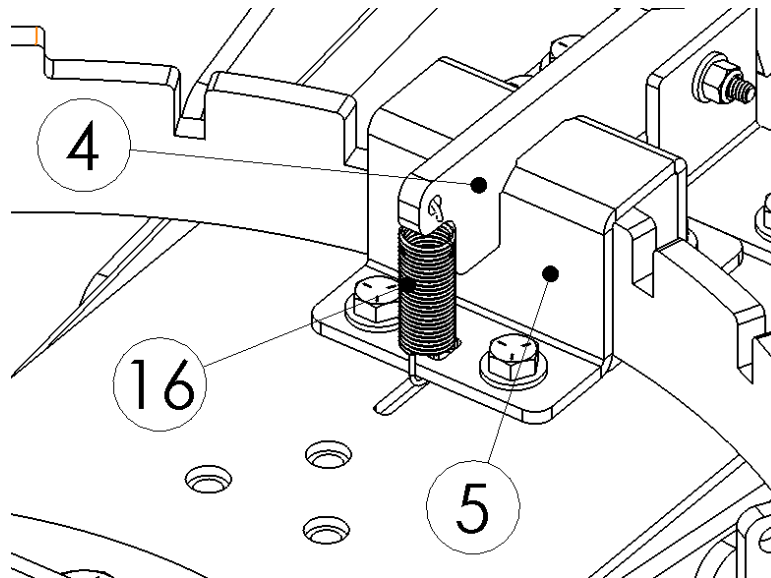
22000 Industrial Blvd

Rogers, MN 55374

866.527.7637

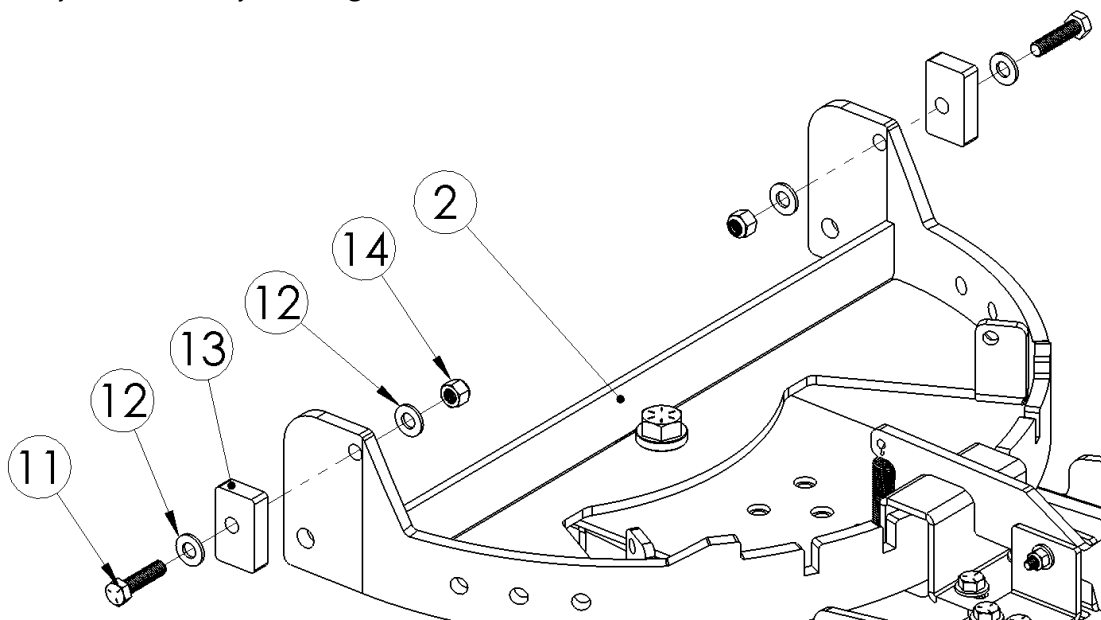
**DENALI UTV Pushtube System  
PTUT**

- 5) Install the Lock Lever Spring between the Pivot Lock Lever and Pivot Lever Support Bracket using a needle nose pliers as shown **Figure 5**.



**Figure 5**

- 6) Install the Stop Blocks using the 3/8" x 1.5" Hex Bolts, 3/8" Flat Washers, and 3/8" Nylock Nuts. Note that the hole in the Stop Block is a different distance from each of the four edges of the Stop Block. By adjusting which of the four faces is pointed forward the plow blades resting position can be changed. Begin with the shortest distance facing forward and adjust if necessary. See **Figure 6**.



**Figure 6**



**motoalliance**

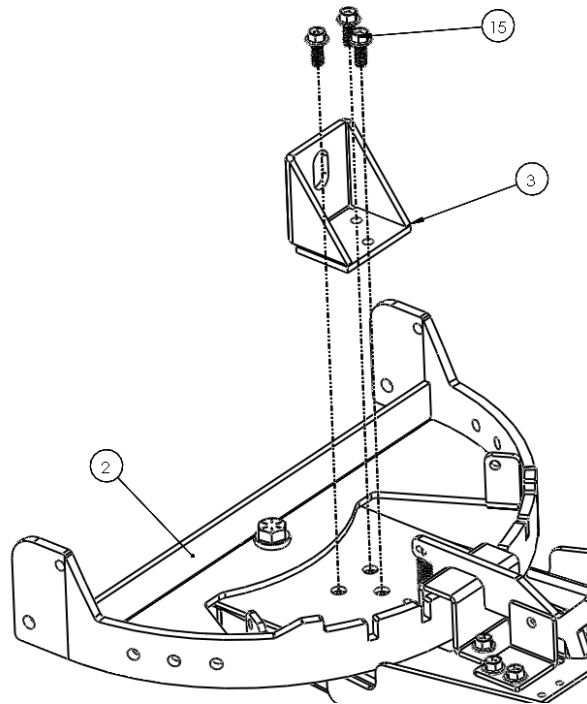
22000 Industrial Blvd

Rogers, MN 55374

866.527.7637

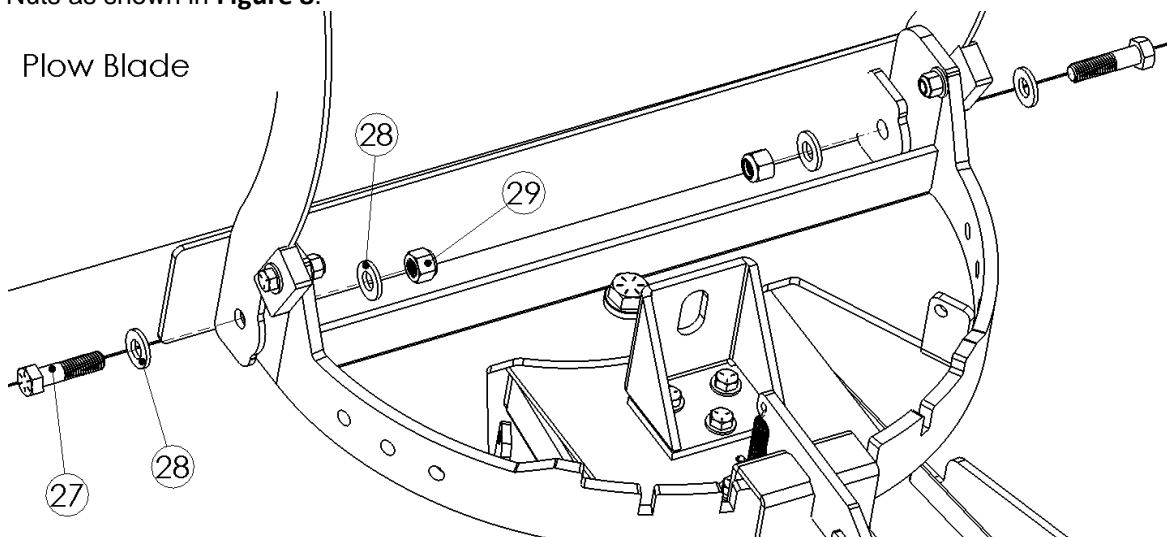
**DENALI UTV Pushtube System  
PTUT**

- 7) Install the Winch Attachment Bracket to the Lift Arm using the 3/8" x 1.00" Flange Bolts as shown Figure 7.



**Figure 7**

- 8) Attach the completed Pushtube assembly to the Snow Plow using the 1/2" x 2.00" Hex Bolts, 1/2" Flat Washers, and 1/2" Nylock Nuts as shown in **Figure 8**.



**Figure 8**



**motoalliance**

22000 Industrial Blvd

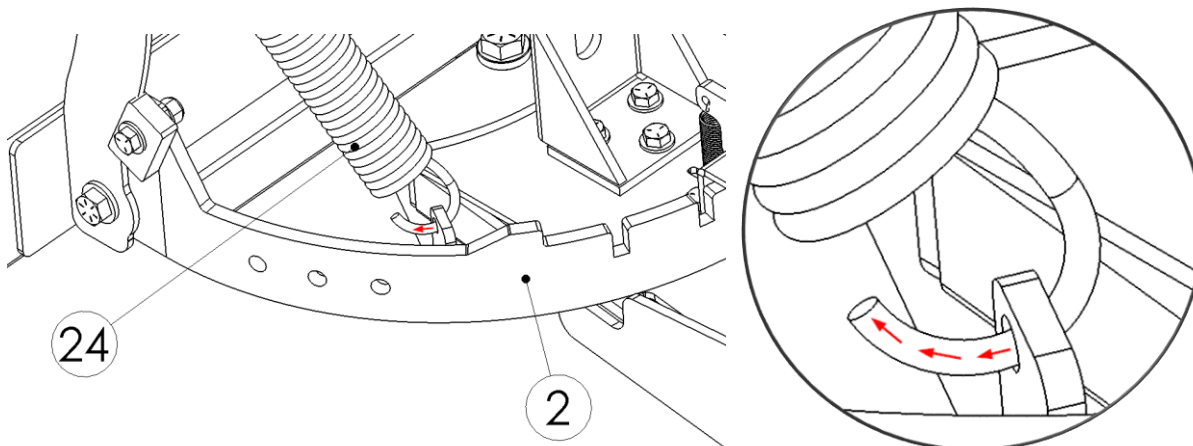
Rogers, MN 55374

866.527.7637

## DENALI UTV Pushtube System

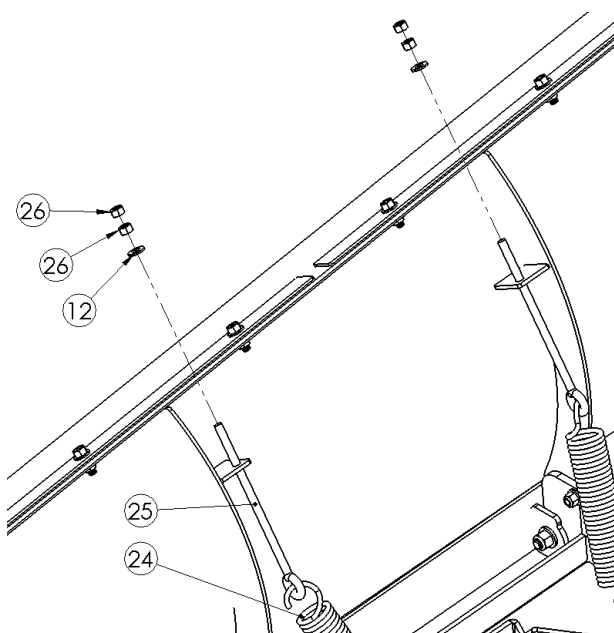
### PTUT

- 9) Attach the 10" Springs to the Swivel Plate with the hook pointed toward the blade as shown in Figure 9.



**Figure 9**

- 10) Attach the top end of the 10" Spring to the 3/8" Eye Bolt and then insert the threads of the 3/8" Eye Bolt through the mount plate welded to the Plow Blade. Secure the Eye Bolts using a 3/8" Flat Washer and two 3/8" Hex Nuts on each Eye Bolt. Alternate tightening the first 3/8" Hex Nut until the 10" Springs are taugt. Tighten the second 3/8" Hex Nut to the First to keep them from spinning backward. See Figure 10.



**Figure 10**





**motoalliance**

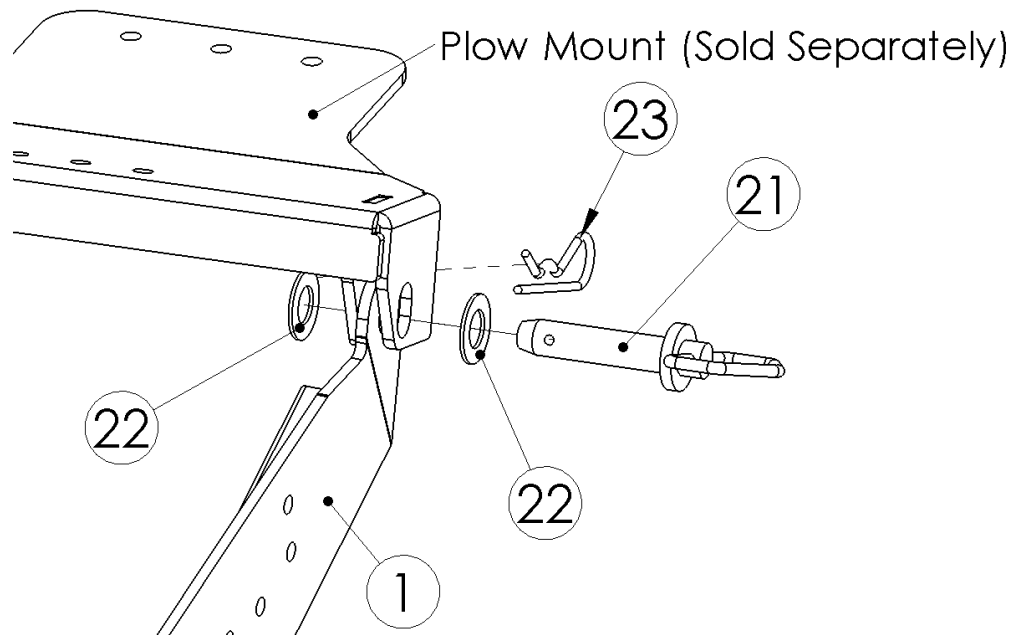
22000 Industrial Blvd

Rogers, MN 55374

866.527.7637

## DENALI UTV Pushtube System PTUT

- 11) Attach the Plow System to the Plow Mount (Sold and installed separately) using the 5/8" Quick Release Pins, 5/8" Flat Washers and R-Clips as shown in **Figure 11**.



**Figure 11**

## PLOW OPERATION TIPS

### ***Raising and Lowering your Plow***

Your plow requires a winch to raise and lower your blade. Simply install a winch and attach the clevis hook to the eye bolt in the center of your lift arm assembly. We suggest using our MotoAlliance Plow Pulley Fairlead, which is designed to spread the weight of the plow blade over a 2" surface area. This will greatly extend the life of your cable. We also recommend plowing with one of our VIPER V2 winches to lock the plow in place.

### ***Long Distance Travel***

If you plan on driving ¼" mile or more without plowing, we suggest attaching the plow to your UTV frame with a bungee cord to minimize the bouncing action on the plow and preserve your UTV shock and spring system.

### ***Warranty***

Your DENALI Pushtube System has a **three-year warranty** against manufacturing defects.

Enjoy the plowing season.....you'll be the envy of your neighbors!